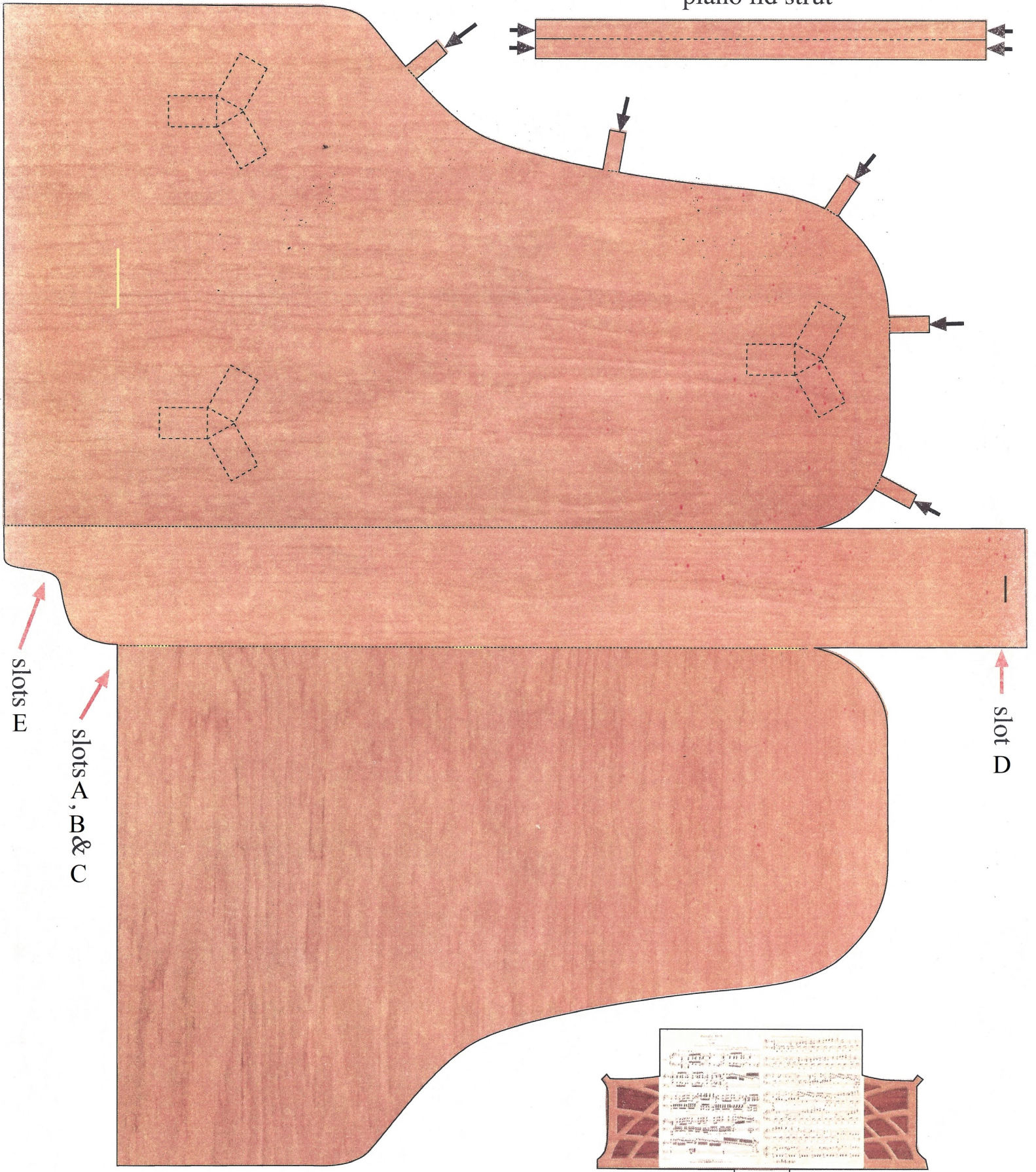


Side A

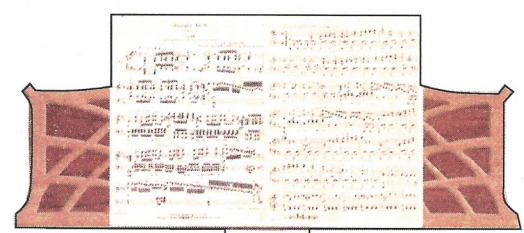
piano lid strut



slots A

slots A, B & C

slot D



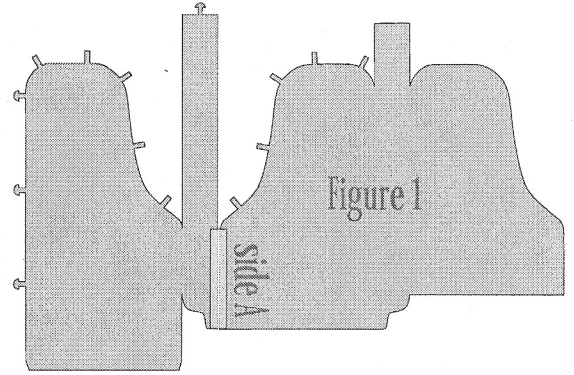
tab F

sheet music stand

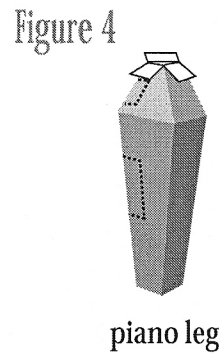
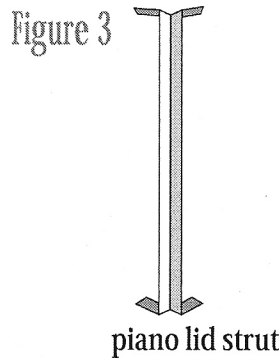
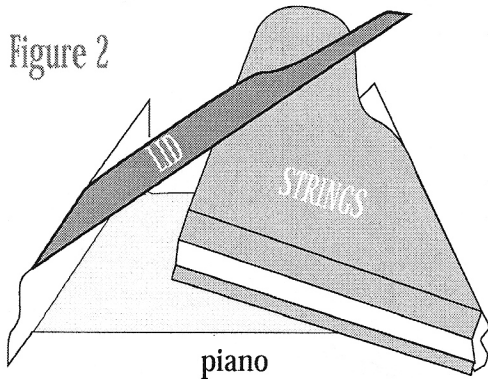
Instructions

Use a stiff photo paper stock to print your fold up piano. A hobby knife is recommended for cutting out the piano. Take a minute to study the directions before you cut your piano apart.

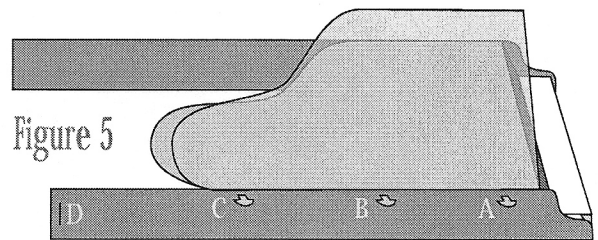
1. Cut along the solid black lines off the piano. Don't forget the Slots A, B, and C on the left side of the piano, Slot D on the back of the piano, Slot E for the pedal board, and Slot F for the sheet music stand.
2. Tape the 2 large piano pieces together with a 2.5" piece of tape along side A (Figure 1).



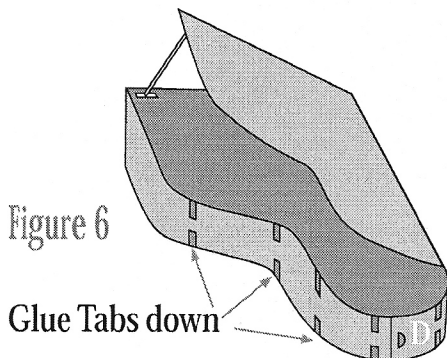
3. Fold along the dotted lines for each of the pieces shown in Figures 2, 3 and 4.



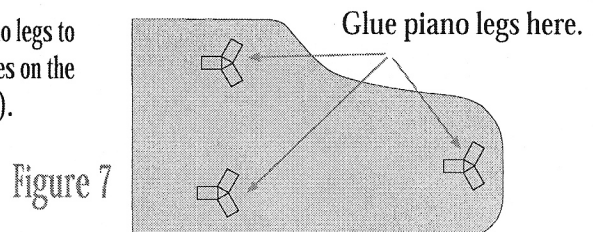
4. On the piano piece, insert Tabs A, B, and C through corresponding Slots A, B and C, then glue or tape the tabs down (Figure 5).



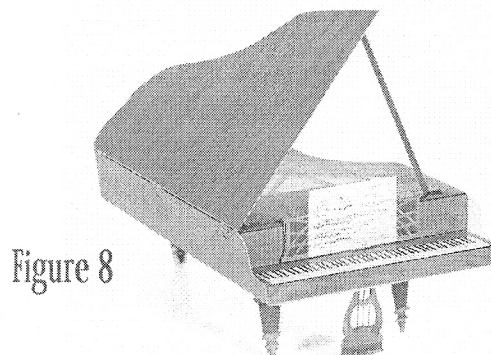
5. Insert Tab D into Slot D. Glue or tape the tabs along the end of the piano down, spacing them evenly so that the middle section of the piano fits the contours of the top and bottom pieces. Glue the Tab on the end of the keyboard under the bottom of the piano (Figure 6).



6. Glue the Tabs on the 3 piano legs to the corresponding dotted lines on the bottom of the piano (Figure 7).



7. Attach pedal board through Slot E on the base of the piano, and the sheet music stand through slot F on top of the keyboard. Your Piano is now complete!



©2004 ACCOUTREMENTS

www.accoutrements.com